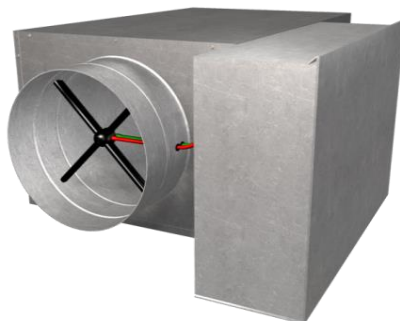
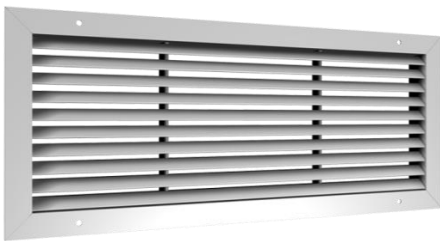




April 2015

Rist
& Associates, Inc.

Stock Catalog





A. TERMS OF SALE

- 1) Net 30 days with approved credit.
- 2) No minimum order charge.
- 3) All prices are subject to change without notice.
- 4) Every attempt is made to maintain adequate inventory of all items that we stock.

B. DELIVERY

- 1) Prices are F.O.B. Rist & Associates warehouse.
- 2) Freight charges will be added to invoice, we ship UPS whenever possible, or common carrier of our choice.

C. TAXES

- 1) Catalog prices do not include sales tax, use tax, or local option tax.

D. RETURNS

- 1) No item may be returned for credit without prior approval and return authorization.
- 2) Items must be new and in original packaging, subject to our inspection.
- 3) All items to be returned to our warehouse, freight pre-paid.

E. WARRANTIES

- 1) The warranties of respective product manufacturers will apply. Rist & Associates bears no responsibility for costs incurred in replacing parts under warranty.

F. DISCLAIMER

- 1) Performance & dimensional data have been provided by respective manufacturers. Rist & Associates bears no responsibility nor makes and warranty concerning said data. This data is subject to change without notice.

Table of Contents

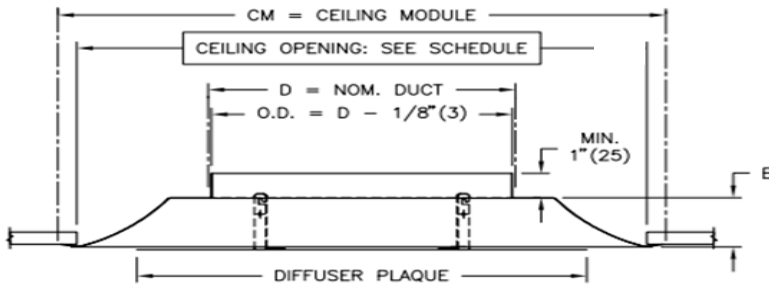
Grilles, Registers & Diffusers	
(SPD) Square Plaque Supply Diffuser.....	2
(SCD) Square Cone Supply Diffuser.....	3
(PDDR) Perforated Face Return Diffuser.....	4
(PDN) Perforated Face Supply Diffuser.....	5
(PFRF) Perforated Return Panel.....	6
(QMF) Plaster Frames.....	7
(VCR8E) Round Butterfly Damper.....	8
Plastic Eggcrates, Ceiling T's.....	9
Plenum Slot Diffusers.....	10
(520D) Surface Mount Supply Register.....	11
(530F) Surface Mount Return Grille.....	12
(530FF) Filter Grille.....	13
(80F) Eggcrate Return/Transfer Grille.....	14
(VCS3) Opposed Blade Damper.....	15
Take-Offs / Collars	
Straight Take-Offs.....	16
Conical Take-Offs.....	17
Flex Duct	
Flex Duct.....	18
Flex Duct Accessories.....	19
Advanced Cable Ties & Tool.....	20
Snap Lock Pipe / Access Doors / Fire Dampers	
Access Doors.....	21
Snap Lock Pipe & Elbows.....	22
Transitions.....	23
Fire Dampers.....	24
VAV Boxes & Hot Water Coils	
VAV Boxes.....	25
Hot Water Coils.....	26
VAV Controls.....	27
CP101 Control Calibration.....	28
Exhaust Fans / Roof Curbs / Pipe Portals / Controls	
Exhaust Fans.....	29
Roof Curbs.....	30
Pipe Portals.....	31
Line Voltage T-Stat.....	32
Our Location.....	33
Line Card	34,35
Notes.....	36



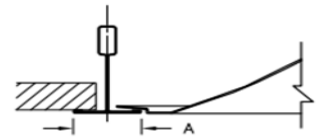
Model SPD

Lay-In Square Plaque Ceiling Diffuser

- Steel Construction
- White Baked Enamel Finish
- Surface Mount w/ QMF Plaster Frame
- Diffuser Face Mounts Flush With Ceiling Tile

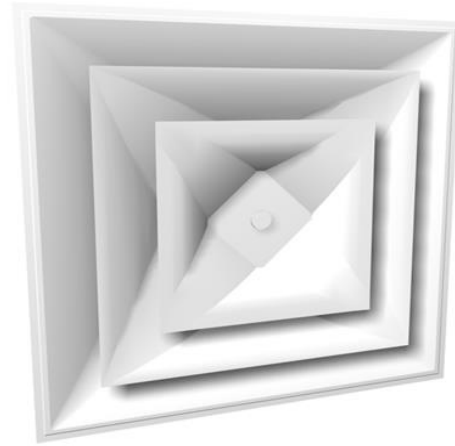


(T-Bar Detail)



Part Number	Neck Size	Module Size	Max CFM at NC 30
SPD121206	6"	12"x12"	210
SPD121208	8"	12"x12"	310
SPD242406	6"	24"x24"	245
SPD242408	8"	24"x24"	390
SPD242410	10"	24"x24"	550
SPD242412	12"	24"x24"	710
SPD242414	14"	24"x24"	925

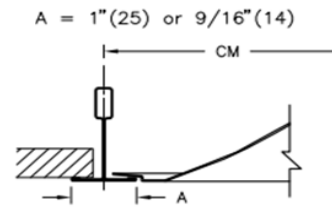
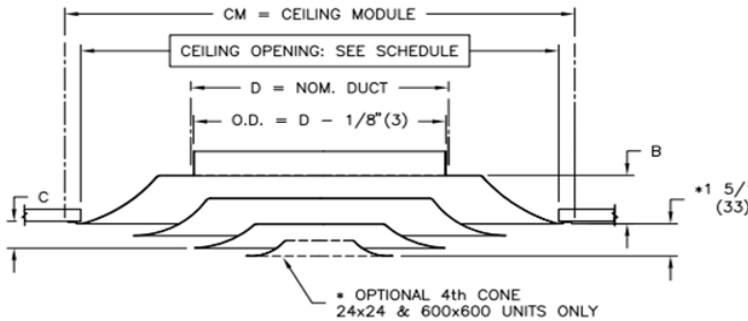
Maximum CFM recommended for NC 30 or less



Model SCD

Lay-In Square Cone Ceiling Diffuser

- Steel Construction
- White Baked Enamel Finish
- Surface Mount w/ QMF Plaster Frame
- Optional 4th Cone In-Stock
- Fixed Non-Removable Core w/ Center Plug For Damper Adjustment



Part Number	Neck Size	Module Size	Max CFM at NC 30
SCD121206	6"	12" x 12"	245
SCD121208	8"	12" x 12"	360
SCD242406	6"	24" x 24"	250
SCD242408	8"	24" x 24"	400
SCD242410	10"	24" x 24"	580
SCD242412	12"	24" x 24"	775
SCD242414	14"	24" x 24"	980

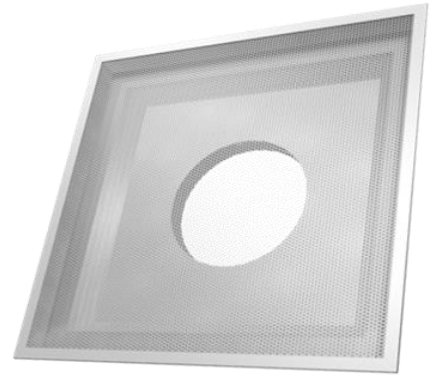
Maximum CFM recommended for NC 30 or less

SCD4C	4th Cone	6.25" x 6.25"
-------	----------	---------------

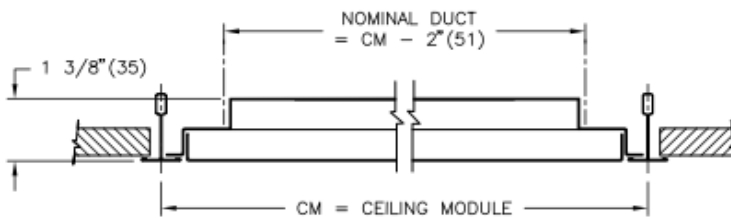


Model PDDR

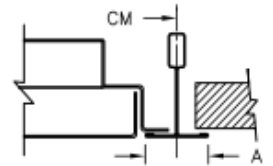
Lay-In Perforated Return Diffuser



- Steel Construction
- White Baked Enamel Finish
- Surface Mount w/ QMF Plaster Frame
- Ducted or Non-Ducted

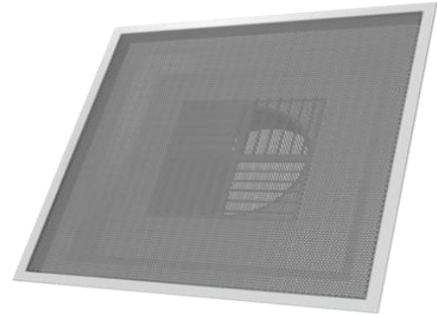


A = 1" (25) or 9/16" (14)



Part Number	Neck Size	Module Size	Max CFM at NC 30
PDDR242406	6"	24" x 24"	440
PDDR242408	8"	24" x 24"	660
PDDR242410	10"	24" x 24"	930
PDDR242412	12"	24" x 24"	1200
PDDR242414	14"	24" x 24"	1500
PDDR24242222	22" x 22"	24" X 24"	2940

Maximum CFM recommended for NC 30 or less

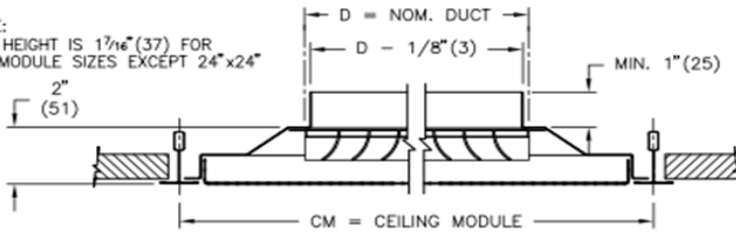


Model PDN

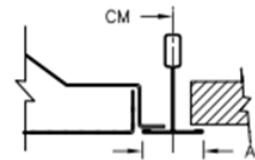
Lay-In Perforated Ceiling Diffuser (with neck deflectors)

- Steel Construction
- White Baked Enamel Finish
- Adjustable Deflectors Are Supplied In 4-Way Pattern
- Other Patterns Achieved By Rotating Deflectors
- Surface Mount w/ QMF Plaster Frame

NOTE:
PAN HEIGHT IS 1 7/16" (37) FOR
ALL MODULE SIZES EXCEPT 24" x 24"



A = 1" (25) or 9/16" (14)



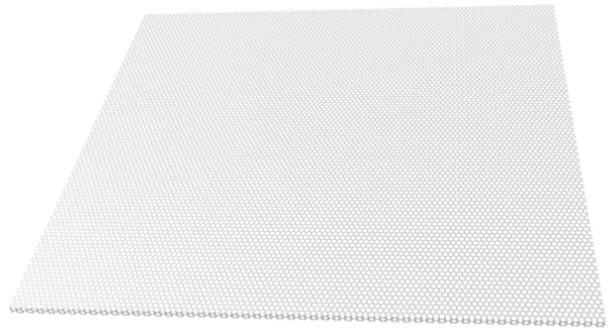
Part Number	Neck Size	Module Size	Max CFM at NC 30
PDN242406	6"	24" x 24"	135
PDN242408	8"	24" x 24"	200
PDN242410	10"	24" x 24"	300
PDN242412	12"	24" x 24"	390

Maximum CFM recommended for NC 30 or less



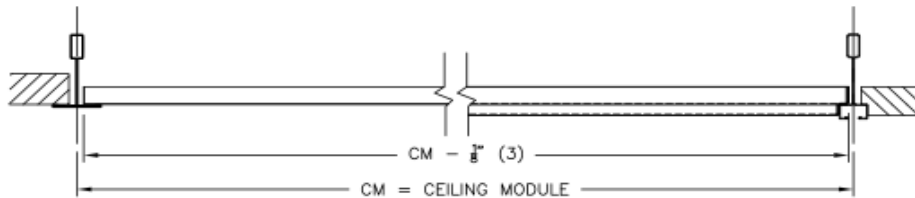
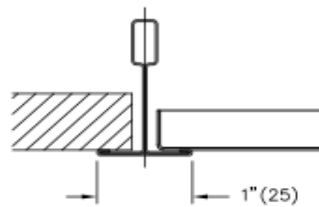
Model PFRF

Lay-In Perforated Return Panel



- Steel Construction
- White Baked Enamel Finish
- Surface Mount w/ QMF Plaster Frame

(T-Bar Detail)

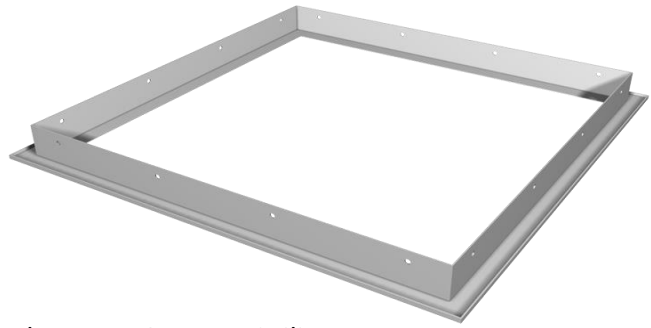


Part Number	Description	Module Size	Max CFM at NC 30
PFRF2424	Perforated Ceiling Panel	24" x 24"	2940

Maximum CFM recommended for NC 30 or less

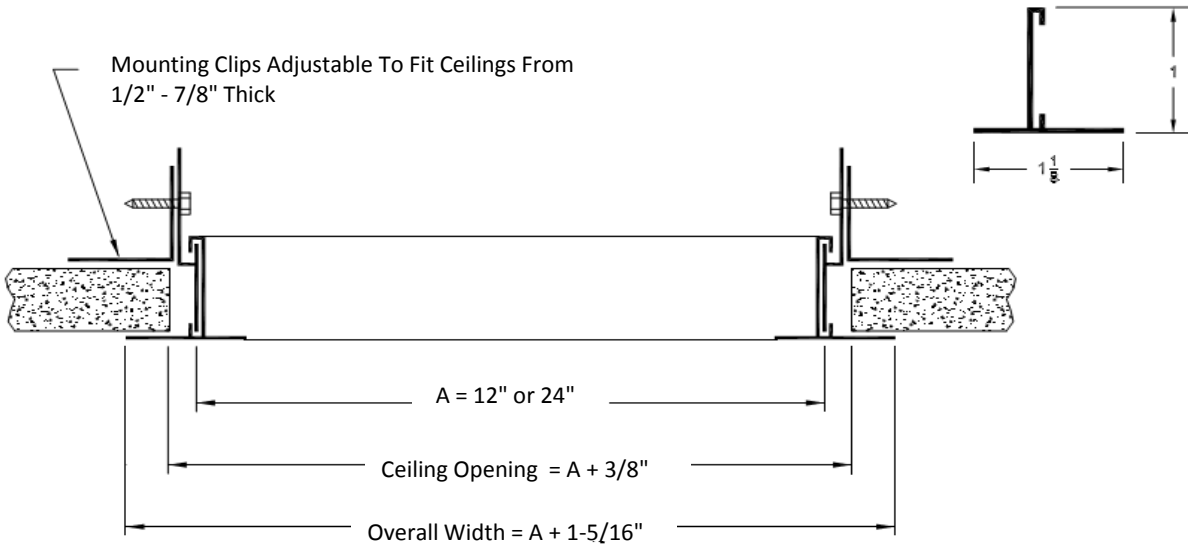


RAYMON-DONCO



Plaster Frames

- Allows Installation of Lay-In Diffusers in Plaster or Gypsum Ceilings
- Mounting Clips & Screws Standard (8 Clips / Frame)
- Aluminum Construction
- Mitered Corners
- White Finish



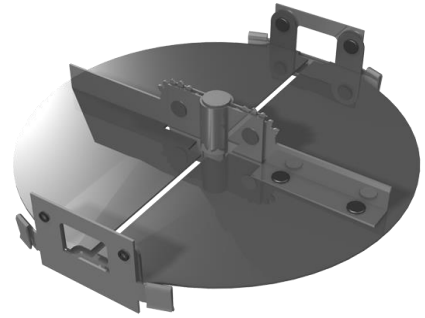
Part Number	Size
QMF1212	12X12
QMF2424	24X24



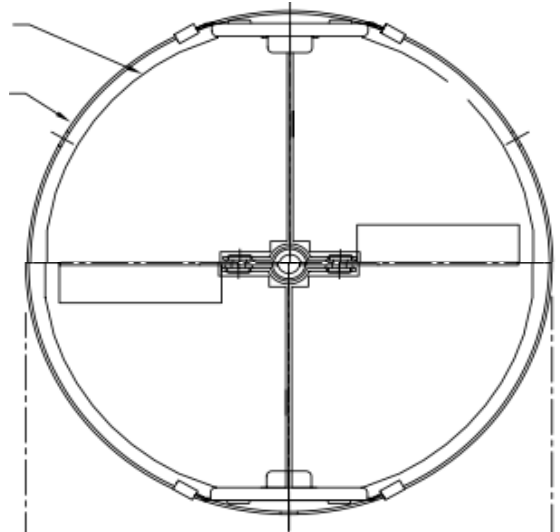
Model VCR8E

Round Butterfly Damper

- Steel Construction
- Standard Screwdriver Operator
- Diffuser Neck Mounted or Duct Mounted
- Mill Finish



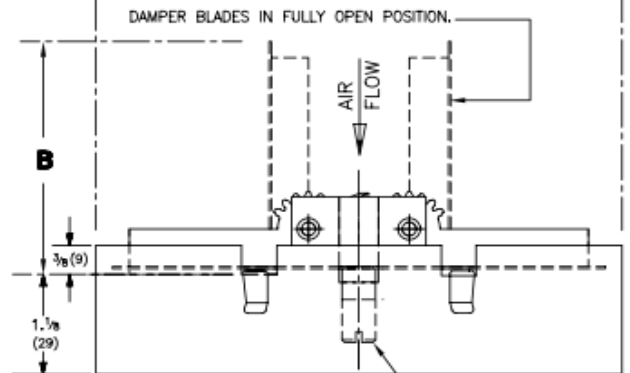
Damper Blades in Fully Closed Position
Damper Sleeve for Mounting into Rigid Duct



TOP VIEW OF DAMPER

A $\pm 1/16$

Part Number	Size
VCR8E06	6"
VCR8E08	8"
VCR8E10	10"
VCR8E12	12"
VCR8E14	14"

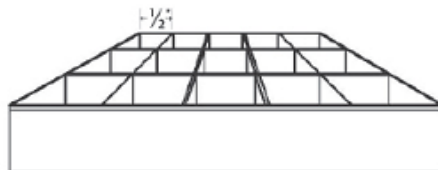


Standard Flat Screwdriver Operates Damper

Ceiling Accessories

Plastic Eggcrates

- Translucent White Finish
- Easily Field Cut to Custom Dimensions
- 1/2" x 1/2" x 3/8" Core
- Available Sizes:

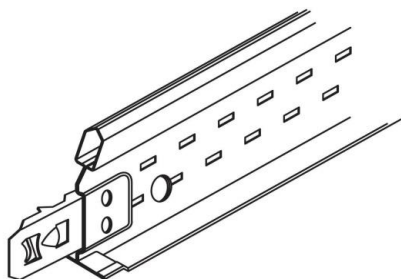
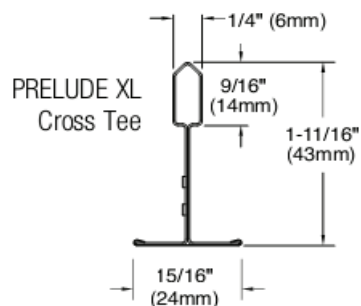


Part Number	Sizes
PEC2424	24" x 24"
PEC4824	48" x 24"

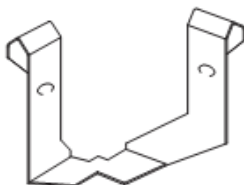
Ceiling Tees / Corner Clips

- Provides For Customizable Ceiling Grid
- Easily Add Grilles, Diffusers, Lights, etc.

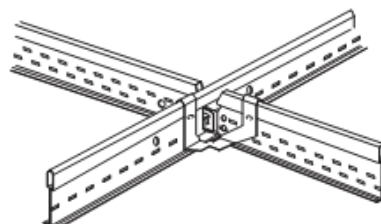
Part Number	Sizes
CT24	24" Long x 15/16"
CT48	48" Long x 15/16"
CTCC	(Corner Clip)



(24" or 48" Ceiling Tee)



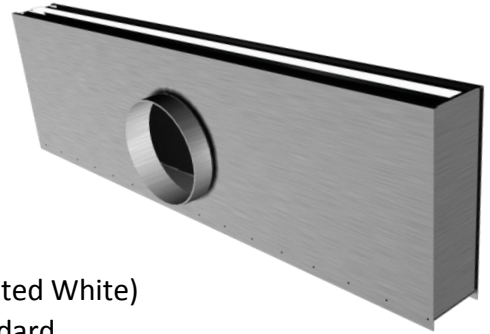
(Corner Clip)



(Ceiling Tee with Corner Clip)

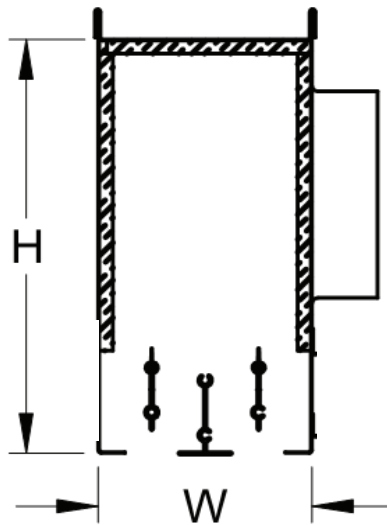


RAYMON-DONCO

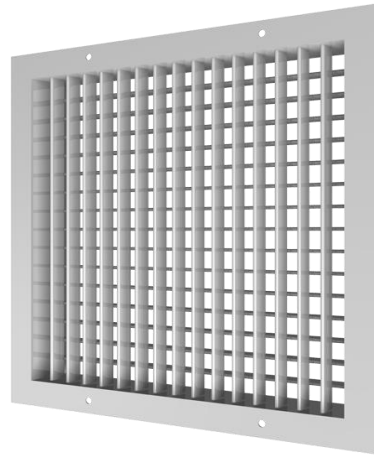


Plenum Slot Diffusers

- Plenum = 24 Gauge Galvannealed Steel
- Interior Surfaces Painted Flat Black (Tee Bar Painted White)
- 1/2" Insulation (Interior Coated Fiberglass) Standard
- Fully Adjustable Directional Vanes with Felt Edge Seal
- 2-Slots Standard



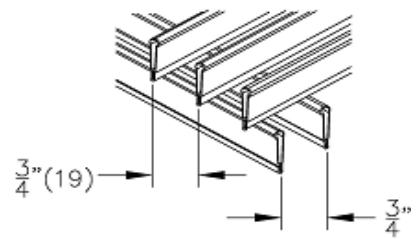
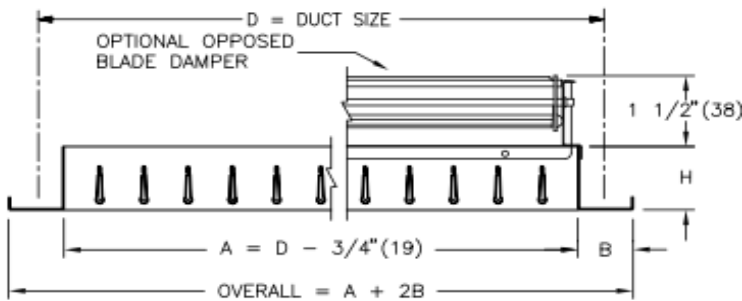
Part Number	Length	Neck Size	Slot Width	"W"	"H"	Max CFM at NC 30
DCD24-2-75-6	24"	6"	3/4"	3-1/2"	9"	135
DCD24-2-10-8	24"	8"	1"	4"	11"	170
DCD24-2-15-8	24"	8"	1-1/2"	5"	11"	250
DCD48-2-75-8	48"	8"	3/4"	3-1/2"	11"	240
DCD48-2-15-8	48"	8"	1-1/2"	5"	11"	350
DCD48-2-15-10	48"	10"	1-1/2"	5"	13"	425



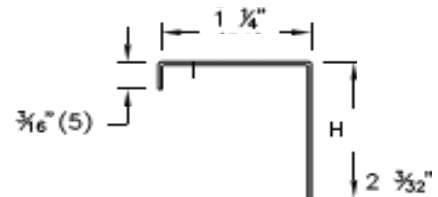
Model 520D

Double Deflection Supply Register

- Steel Construction
- White Baked Enamel Finish
- 3/4" Blade Spacing
- VCS3 Opposed Blade Damper Included
- Countersunk Screwholes For Surface Mount
- Front Blades Parallel To Short Dimension



(Blade Spacing Detail)



(Frame Detail)

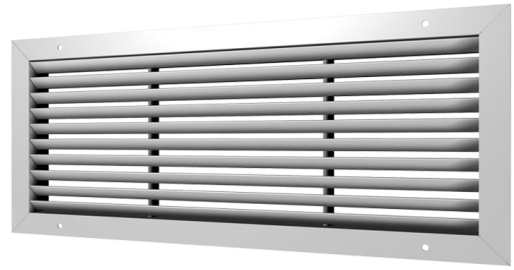
Part Number	Size	Max CFM at NC 30
520D0606	6" x 6"	210
520D0808	8" x 8"	370
520D1010	10" x 10"	560
520D1206	12" x 6"	410
520D1208	12" x 8"	530
520D1210	12" x 10"	660
520D1212	12" x 12"	790
520D1406	14" x 6"	450
520D1408	14" x 8"	615
520D1410	14" x 10"	750
520D1414	14" x 14"	945
520D1616	16" x 16"	1280

Maximum CFM recommended for NC 30 or less



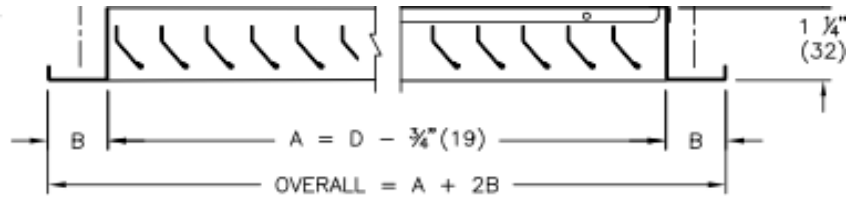
Model 530/F

Single Deflection Return Grille



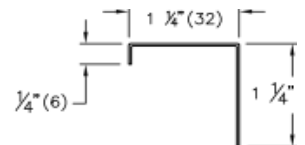
- Steel Construction
- White Baked Enamel Finish
- 45° Deflection - 3/4" Blade Spacing
- Countersunk Screwholes For Surface Mount

* No Screwholes On 22"x22" Lay-In Style*



Part Number	Size	Max CFM at NC 30
530F0606	6" x 6"	160
530F0806	8" x 6"	215
530F0808	8" x 8"	300
530F1008	10" x 8"	360
530F1010	10" x 10"	460
530F1210	12" x 10"	485
530F1212	12" x 12"	635
530F1616	16" x 16"	1075
530F2222LI	22" x 22" (Lay-In)	2100

Maximum CFM recommended for NC 30 or less



(Frame Detail)

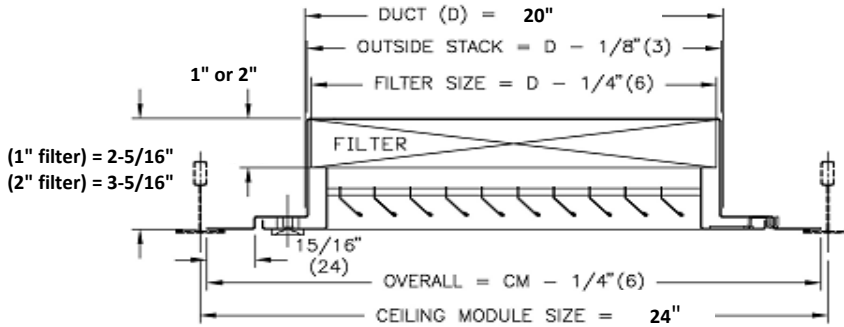


Model 530/FF

Lay-In Single Deflection Filter Return Grille



- Steel Construction
- White Baked Enamel Finish
- 45° Deflection - 3/4" Blade Spacing
- Hinged Face w/ Quarter Turn Fasteners
- Accepts 1" or 2" Filter (By Others)



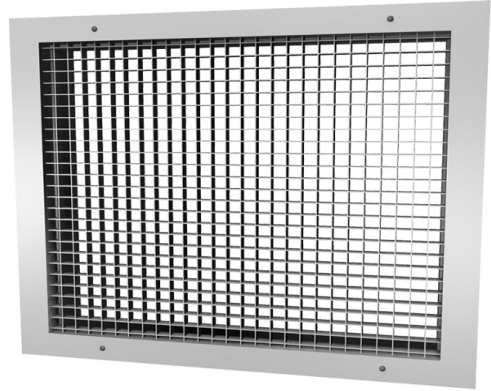
Part Number	Neck Size	Face Size	Filter	Max CFM at NC 30
530FF2020-1LI	20"x20"	24"x24"	1"	1750
530FF2020-2LI	20"x20"	24"x24"	2"	1750

Maximum CFM recommended for NC 30 or less

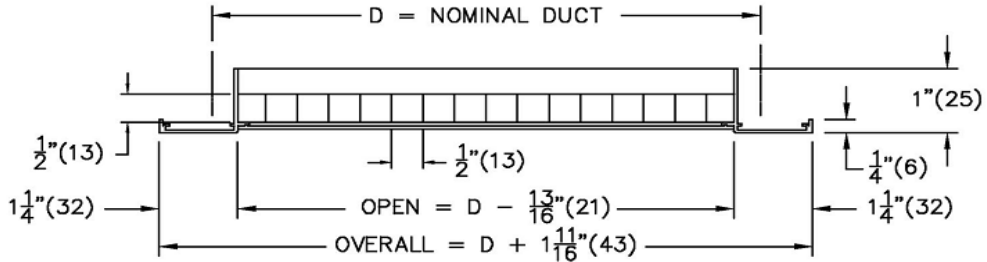


Model 80/F

Eggcrate Return Grille

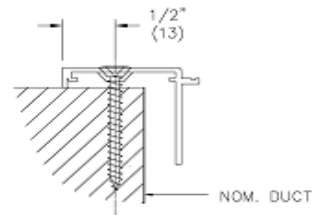


- Aluminum Construction
- White Baked Enamel Finish
- 1/2" x 1/2" x 1/2" Core
- Countersunk Screwholes For Surface Mount
 - * No Screwholes On 22"x22" or 22"x10" Lay-In Style*



Part Number	Size	Max CFM at NC 30
80F0606	6" x 6"	215
80F0808	8" x 8"	390
80F1010	10" x 10"	600
80F1212	12" x 12"	900
80F1616	16 x 16"	1280
80F2210LI	22" x 10" (Lay-In)	1300
80F2222LI	22" x 22" (Lay-In)	2800

Maximum CFM recommended for NC 30 or less



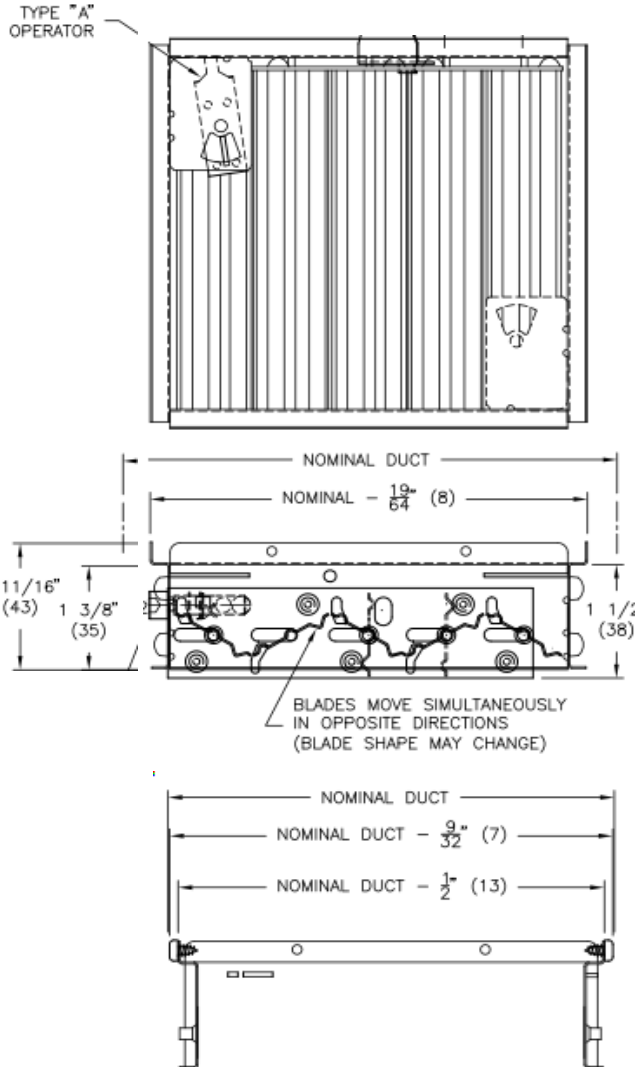
(Frame Detail)



Model VCS3

Square Opposed Blade Damper

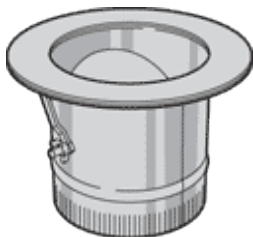
- Steel Construction
- Standard Screwdriver Operator
- Mill Finish



Part Number	Size
VCS30606	6"X6"
VCS30808	8"X8"
VCS31010	10"X10"
VCS31212	12"X12"
VCS31616	16"X16"

Straight Take-Offs

Adhesive Tap with Damper



Part Number	Size Ø
ADT04	4"
ADT05	5"
ADT06	6"
ADT07	7"
ADT08	8"
ADT09	9"
ADT10	10"
ADT12	12"
ADT14	14"

- Single Blade Damper with Locking Quadrant Handle
- Adhesive Flange Adds 2.5" to Ø
- Length Varies with Ø

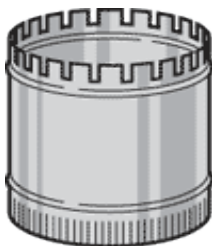
Spin-In with Damper



Part Number	Size Ø
SI04	4"
SI05	5"
SI06	6"
SI07	7"
SI08	8"
SI09	9"
SI10	10"
SI12	12"
SI14	14"

- Single Blade Damper with Locking Quadrant Handle
- Die-Formed Locking Groove
- Length Varies with Ø

Start Collar

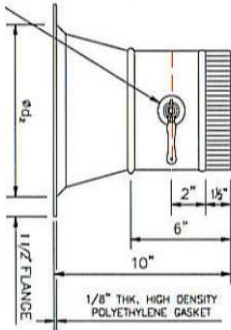


Part Number	Size Ø
SC06	6"
SC08	8"
SC10	10"
SC12	12"
SC14	14"
SC16	16"
SC18	18"
SC20	20"

- 28 gauge Sizes 6" - 8"
- 26 gauge Sizes 10" - 20"
- Pre-Formed Tabs to Secure to Duct
- Length Varies with Ø

Conical Take-Offs

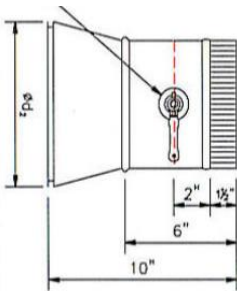
Adhesive Conical Tap with Damper



Part Number	Size ϕ
CNPR04	4"
CNPR06	6"
CNPR08	8"
CNPR10	10"
CNPR12	12"
CNPR14	14"

- Single Blade Damper with Locking Quadrant Handle
- ϕd_2 Dimension = "Size" + 1.75"
- 1.5" Adhesive Flange

Spin-In Conical with Damper



Part Number	Size ϕ
CNR04	4"
CNR06	6"
CNR08	8"
CNR10	10"
CNR12	12"
CNR14	14"

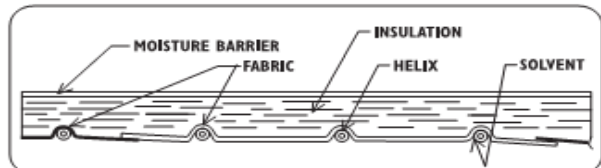
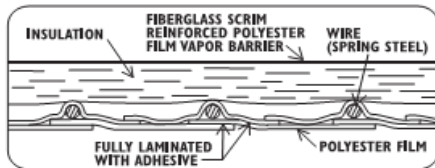
- Single Blade Damper with Locking Quadrant Handle
- ϕd_2 Dimension = "Size" + 1.75"

Flex Duct

	KP	GKM	MKE
Insulation:	R-4.2	R-4.2	R-4.2
Exterior Facing:	Polyolefin Film, Flame Resistant	Polyolefin Film, Flame Resistant	Fiberglass Scrim Reinforced Aluminized Polyester Vapor Barrier
Fabric Type:	Polyester Film	Acoustically Rated CPE Material	Acoustically Rated CPE Material
Rated Velocity:	5000 FPM	5000 FPM	5000 FPM
Max Pressure: (positive)	4" - 16" = 10" w.g. 16" - 20" = 6" w.g.	3" - 16" = 6" w.g. 18" - 20" = 4" w.g.	4" - 12" = 10" w.g. 14" - 16" = 6" w.g. 18" - 20" = 4" w.g.

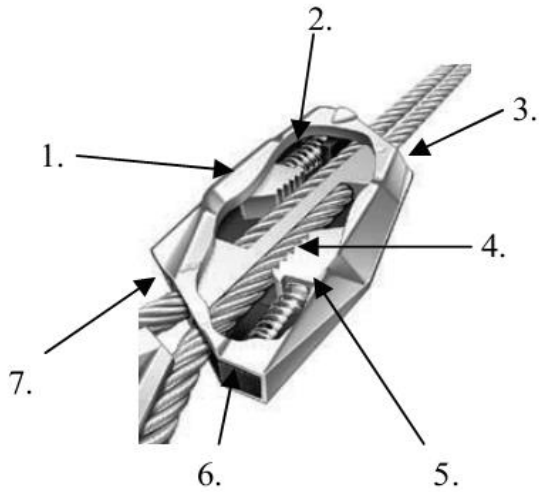
(KP)

(GKM & MKE)



Available Sizes (I.D.)	(25' Lengths)		
	KP	GKM	MKE
4"			4"
5"			5"
6"		6"	6"
7"			7"
8"		8"	8"
9"			9"
10"		10"	10"
12"		12"	12"
14"		14"	14"
		16"	16"
		18"	18"
		20"	20"

Gripple & Flex Duct Accessories



Available Sizes: #2 10' Lengths

Hang Fast Gripple

1. **Zinc Housing**- Provides anti-corrosion properties with strength & consistent manufacturing quality
2. **Stainless Springs**- Type 302 S26. One spring in each channel
3. **Setting Key**- Entry Hole
4. **Serrated Teeth**- Enables a strong grip on the wire rope without sacrificing wire rope strength. Found in each wire rope channel
5. **Locking Wedges**- Provides a locking type grip on the wire rope which only allows one way entry
6. **End-Cap**- Plastic end-cap holds the spring in place
7. **Setting Key**- Entry Hole

(Part Number: #2-10)



Flex Flow Elbows

- One Piece Fits Duct Sizes 6"-16" Round
- Fits Over any Size/Brand of Flex Duct in 30 Seconds
- Molded From Composite Material / UL Listed
- Quantity = 25 / Box

(Part Number: FFE)



Flex Ties

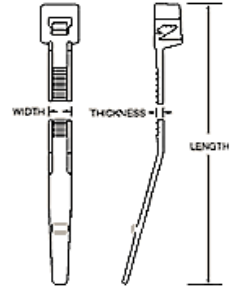
- 1 - 1/2" Wide, Adjustable From 4" - 16" Diameter
- 24ga Galvanized Steel Door Panel (22 ga Frame)
- Reusable
- Quantity = 100 / Box

(Part Number: FTHS)

Cable Ties & Tensioning Tools

Advanced Cable Ties, Inc.

- **Faster** - low insertion and pull through force
- **Stronger** - high tensile strength achieved from one piece (filtered nylon) design
- **Easier** - angled tail provides quicker initial insertion
- **Safer** - rounded edges provide added safety & eliminates insulation damage

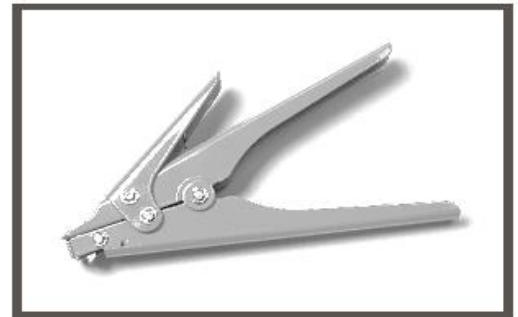


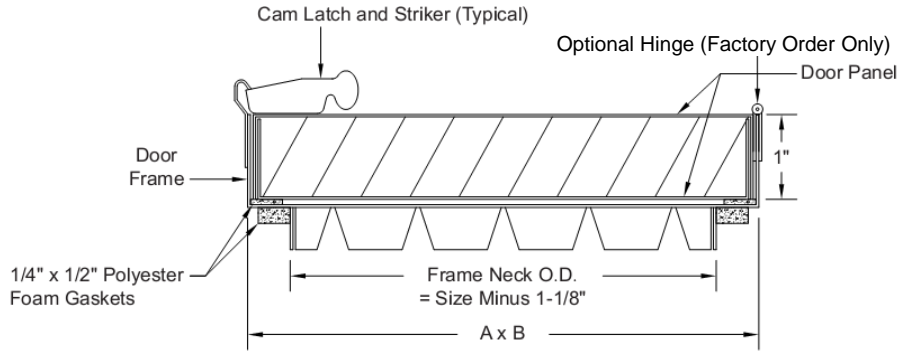
Length	Width	Thickness	Tensile Strength	Diameter	per Bag	per Case
37.25"	0.34"	0.09"	175lbs	11.00"	50	500

AL-300 Tensioning Tool

- Quickly Tensions and Cuts Off Excess Strap
- Durable: The AL-300 is Designed For Larger Cable Ties & Manually Cuts Off Excess Strap With a Squeeze of the Cutoff Handle
- Travel Stop Prevents Pinched Fingers
- All-Steel Construction

AL-300

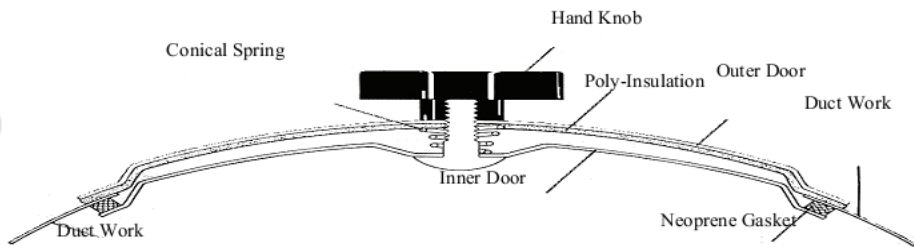




Access Doors

- 24ga Galvanized Steel Door Panel
- 1" Fiberglass Insulation
- Pre-Formed 22ga Tabs
- Cam Locks

Part Number	Sizes:		
	"A" x	"B"	# Cams
AD0606	6"	6"	2
AD0808	8"	8"	2
AD1010	10"	10"	2
AD1212	12"	12"	2
AD1414	14"	14"	2
AD1612	16"	12"	4
AD1616	16"	16"	4
AD1818	18"	18"	4
AD2020	20"	20"	4
AD2424	24"	24"	4



Access Doors (Round Duct)

- Tested From -10" - +20" w.g. With No Leakage
- Galvanized Coating
- Closed Cell Neoprene Gasket For Optimum Seal
- Self Adhesive Template Provided For Easy Install

Part Number	Duct Ø	Size
RAD0608	6" & 8"	10"x6"
RAD10	10"	
RAD12	12"	
RAD14	14"	
RAD16	16"	



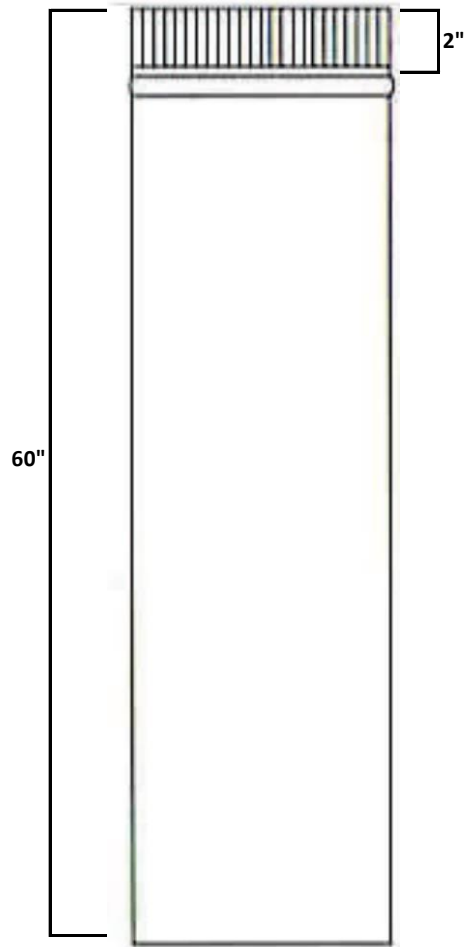
Snap Lock Pipe

Union Made

- 26 Gauge Galvanized Steel
- G-60 Galvanized Coating
- SPB Button Lock Meets SMACNA RL-8
- Pressure Rating: -1.0"wg - +2.0"wg
- Dimensional Tolerance: $\pm 0.25"$

Part Number	Pipe \varnothing
SLP06	6" \varnothing
SLP08	8" \varnothing
SLP10	10" \varnothing
SLP12	12" \varnothing
SLP14	14" \varnothing

End Caps: Available in 6", 8" & 10"
(PN: EC06, EC08, EC10)

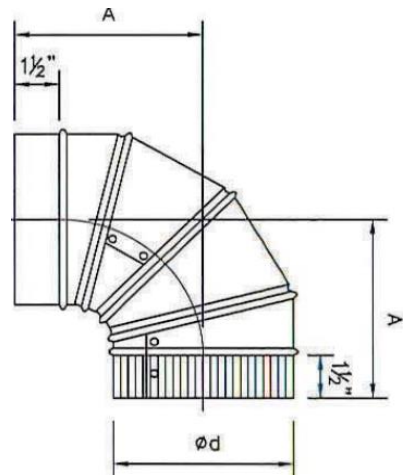


90° Adjustable Elbows

Union Made

- Same Specifications as Snap Lock Pipe ↑

Part Number	Size	"A"
SLP90-06	6"	6"
SLP90-08	8"	7"
SLP90-10	10"	9"
SLP90-12	12"	10"
SLP90-14	14"	10.5"



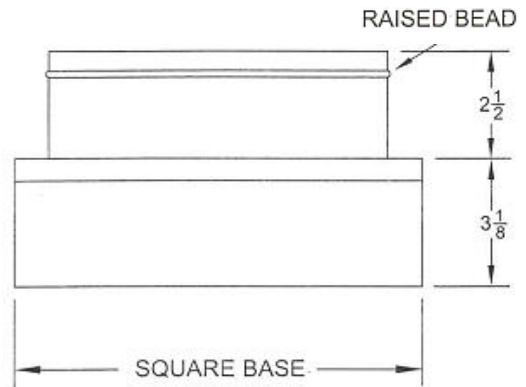
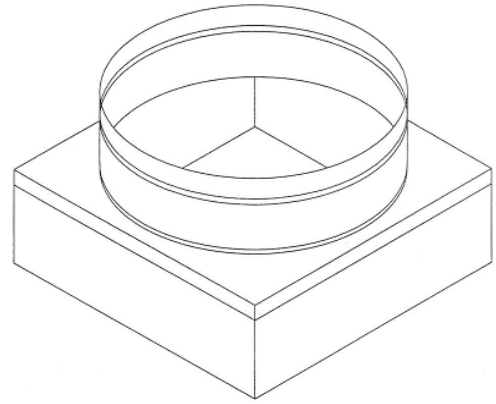


RAYMON-DONCO

Square → Round Transitions

- 24 Gauge Galvannealed Steel
- Interior Painted Flat Black

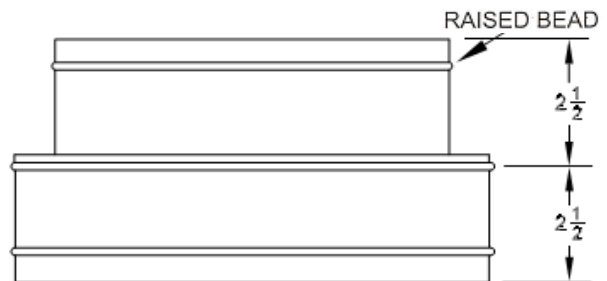
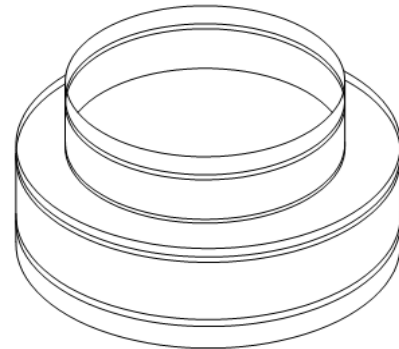
Part Number	Square→Round
SQTR0606-06	6 x 6→6"
SQTR0808-08	8 x 8→8"
SQTR0909-08	9 x 9→8"
SQTR1010-08	10x10→8"
SQTR1010-10	10x10→10"
SQTR1212-06	12x12→6"
SQTR1212-08	12x12→8"
SQTR1212-10	12x12→10"
SQTR1212-12	12x12→12"



Round → Round Transitions

- 24 Gauge Galvannealed Steel
- Interior Painted Flat Black

Part Number	Round→Round
RTR0608	6" - 8"
RTR0810	8" - 10"

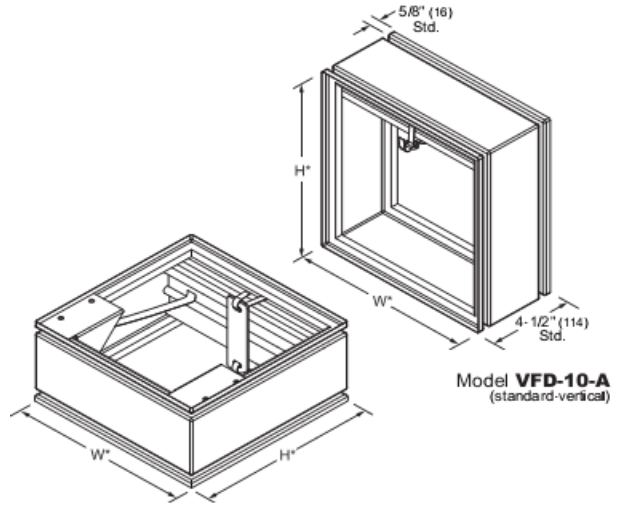


POTTORFF®

Fire Dampers

1-1/2 Hour Rated Static - Curtain Style

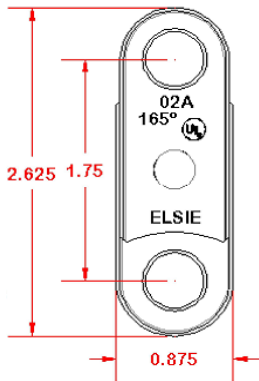
- 22 gauge Galvanized Steel Frame
- 24 gauge Galvanized Steel Curtain
- 165°F Fusible Link
- Vertical or Horizontal Applications
- UL Listed



Model **VFD-10-A**
(standard-vertical)

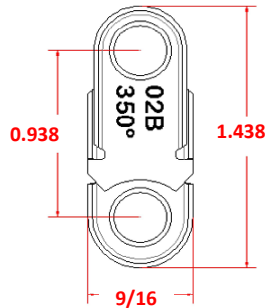
Part Number	Sizes
FD0606	6"x6"
FD0808	8"x8"
FD1010	10"x10"
FD1208	12"x8"
FD1210	12"x10"
FD1212	12"x12"
FD1412	14"x12"
FD2412	24"x12"

Fusible Links



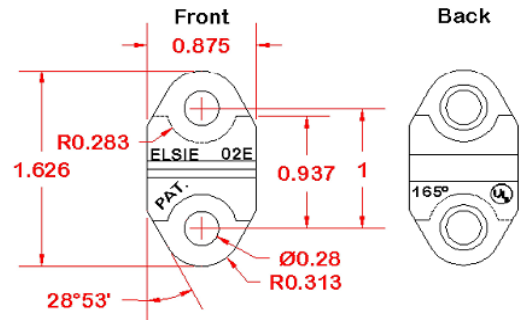
A Style (Large)

165° or 212°



B Style (Small)

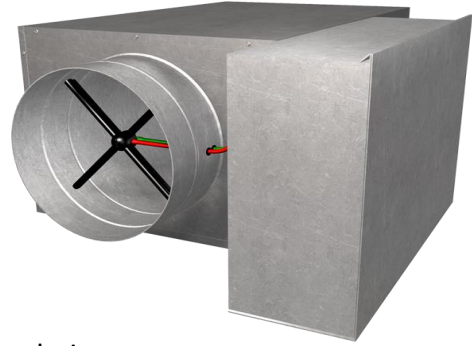
165° or 212°



E Style (Star Link)

165° or 212°

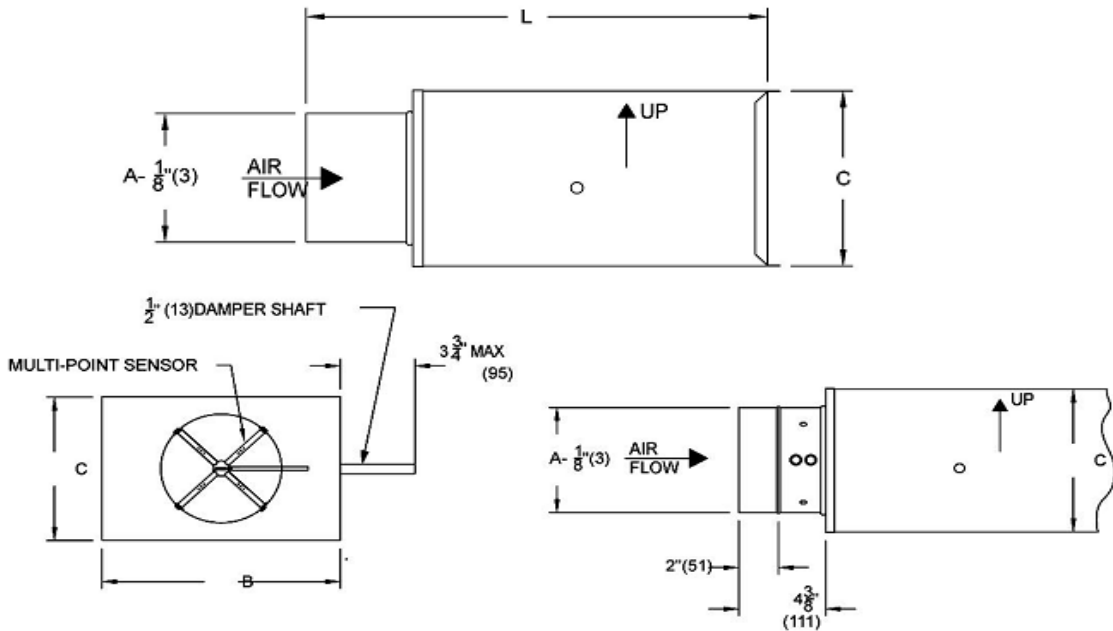
(Shown With Optional Control Shroud / Enclosure)



Model SDV5

Single Duct VAV (Bare) Box

- 22ga Zinc Coated Steel Housing
- 1/2" Thick, 1-1/2lb Density Internal Fiberglass Insulation
- Designed To Accept Pneumatic or Digital Controls
- 2-Row Water Coils, Control Shrouds & Pneumatic Controllers/Actuators In Stock

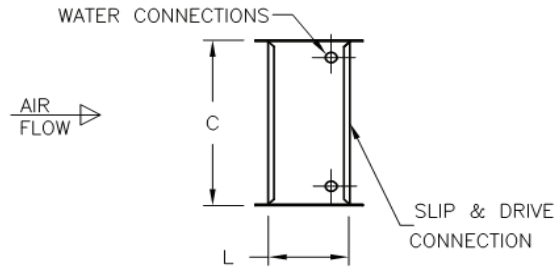
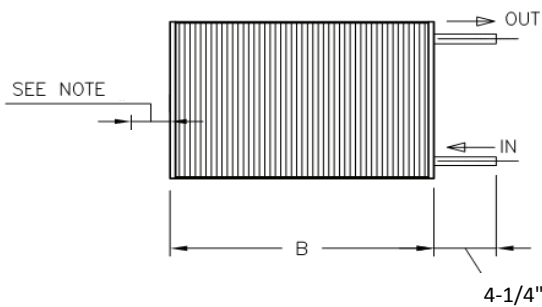


Part Number	Unit Size	Max CFM	Outlet		Inlet	Length
			B	C	A	
SDV506	6	450	12"	8"	6"	20-1/8"
SDV508	8	800	12"	10"	8"	20-1/8"
SDV510	10	1350	14"	12-1/2"	10"	20-1/8"
SDV512	12	2100	16"	15"	12"	20-1/8"



Hot Water Reheat Coils (2-Row)

- Aluminum Fins (10 Fins Per Inch)
- Slip & Drive Duct Connection
- 22ga Galvanized Steel Mechanically Sealed, Leak Resistant
- O.D. Sweat Connections
- Copper Tubes

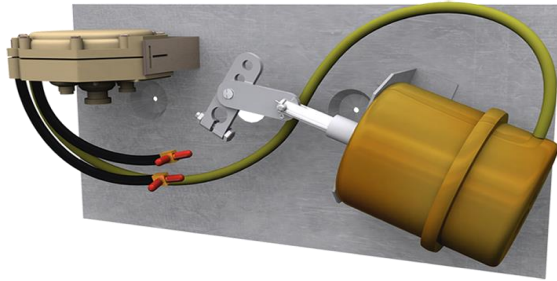


↑ *Note: Allow 1-1/2" Minimum Clearance For Installation At This End*

Part Number	(VAV Box) Inlet Size	B	C	L	Coil Connection
HWC06	6"	12"	8"	5"	7/8"
HWC08	8"	12"	10"	5"	7/8"
HWC10	10"	14"	12-1/2"	5"	7/8"
HWC12	12"	16"	15"	5"	7/8"



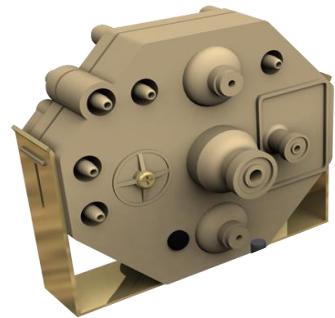
VAV Controls



CP-101 Pneumatic Controller

- Pressure Independent Pneumatic Controller
- Separate Adjustment Knobs For Max & Min Airflows
- Air Consumption = 1 scfm @ 20 psig
- Requires 15-30 psig Main Air Pressure
- Calibration Procedure on Next Page

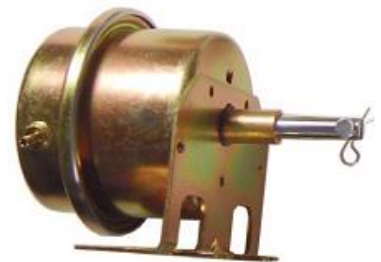
Part Number: CP101



KMC Pneumatic Actuator

- MCP-8031 Series Ideal For Terminal Unit Applications
- Stroke = 1-11/16"
- Supply Pressure = 0-20 psi Operating, 30 psi Maximum
- Operating Temperature Limits = -20°F to 180°F
- 3/16" OD Metal Fittings

Part Number: PNACT



⚠ CAUTION

Pneumatic devices must be supplied with clean, dry control air. Any other medium (e.g., oil or moisture contamination) will cause the device to fail.

CP101 Calibration Procedure

A. Damper Action

1. Damper action is factory set. To reset action, loosen damper selection switch screw and align desired action with the damper position. Retighten screw.
2. Actuator must be repositioned to provide appropriate fail safe position. (See Page 4 for instructions)

B. Reset Start Point

1. Reset start point is factory calibrated to the specified setting on the control assembly label.
2. To field adjust, remove the gauge tap cap at "G" and attach a 0 - 30 psi pressure gauge.
3. Adjust the thermostat pressure at "T" port to the desired start point value with a gradual switch or pressure regulator. (Start point is lowest span pressure).
4. Adjust reset start knob until the gauge pressure begins to increase slightly (greater than zero but less than 0.3).
5. Replace gauge tap cap.

C. Reset Span

1. Reset span is factory calibrated to the specified setting on the control assembly label.
2. To field adjust, remove the gauge tap cap at "G" and attach a 0 - 30 psi pressure gauge.
3. Adjust the thermostat pressure at "T" port to above 15 psi.
4. Adjust reset span knob until the gauge pressure is equal to the desired reset span (total span pressure, not end span pressure).
5. Replace gauge tap cap.

D. Air Volume Limits

1. Remove the caps from the tees in the HI (red) and LO (green) tubes leading from the air flow sensor in the assembly inlet. Connect a differential pressure gauge to the tees. A gauge with a 0 to 1 inch w.g. scale is recommended.
2. Refer to the calibration curve for the size assembly being serviced. From the curve read the differential pressure across the sensor for the required air flow. (See Page 6)
3. Alternately, calculate the differential pressure from the equations on page 6.

Direct Acting Cooling or Reverse Acting Heating

4. Adjust the minimum air flow limit first.
5. Set the thermostat signal to 0 psi or disconnect the thermostat tube from the controller.
6. Adjust the "LO STAT" dial on the controller (centre knob) until the gauge reads the required differential pressure for minimum air volume. Turn the dial slowly, allowing time for the damper actuator to complete its travel in response to the adjustments.
7. Adjust the maximum air flow limit, after verifying the minimum air flow limit is set correctly.
8. Apply 15 psi minimum air pressure to the thermostat connection at the controller.

9. Adjust the "HI STAT" dial on the controller (outer knob) until the gauge reads the required differential pressure for maximum air volume. Turn the dial slowly, allowing time for the damper actuator to complete its travel in response to the adjustments.
10. Cycle the thermostat several times. This can be quickly accomplished by removing the cap from the gauge tap (Port G) and varying the bleed rate with finger pressure. Replace cap and check the air flow limits. If set points have changed, repeat steps 4 to 10.

Reverse Acting Cooling or Direct Acting Heating

4. Adjust the maximum air flow limit first.
5. Set the thermostat signal to 0 psi or disconnect the thermostat tube from the controller.
6. Adjust the "LO STAT" dial on the controller (centre knob) until the gauge reads the required differential pressure for maximum air volume. Turn the dial slowly, allowing time for the damper actuator to complete its travel in response to the adjustments.
7. Adjust the minimum air flow limit, after verifying the maximum air flow limit is set correctly.
8. Apply 15 psi minimum air pressure to the thermostat connection at the controller.
9. Adjust the "HI STAT" dial on the controller (outer knob) until the gauge reads the required differential pressure for minimum air volume. Turn the dial slowly, allowing time for the damper actuator to complete its travel in response to the adjustment.
10. Cycle the thermostat several times. This can be quickly accomplished by removing the cap from the gauge tap (Port G) and varying the bleed rate with finger pressure. Replace cap and check the air flow limits. If set points have changed, repeat steps 4 to 10.

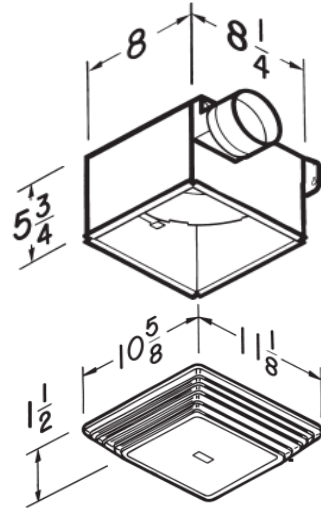
General

11. Always adjust the "LO STAT" dial first.
12. After calibration is complete, reconnect the thermostat tube to the controller if it has been removed during the calibration procedure.
13. Disconnect the gauge and replace the caps on the tees.
14. Replace the protective metal cover.

Exhaust Fans

BROAN Model 684

- 80 CFM @ 0.125" Static Pressure
- White Polymeric Grille
- Plug-in Permanently Lubricated Motor
- 4" Round Duct Connection with Damper
- UL Listed For Shower/Tub Enclosures When Used With a GFCI Branch Circuit Wiring
- Weight = 6.5lbs



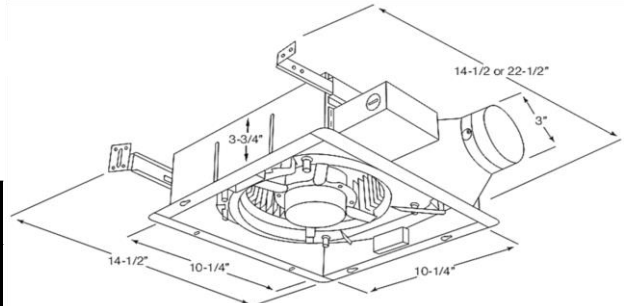
Part Number: B684

	Static Pressure (in. wg Ps)					Volts	Watts	Nominal RPM	Duct Ø
	0.0	0.1	0.125	0.250	0.375				
CFM	89	81	80	68	36	120	48	1280	4"
Sones	3.9	3.8	3.8	3.8	3.9				

Panasonic Model FV-08VS1

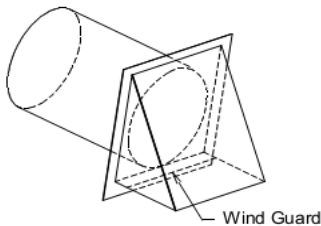
- 80 CFM @ 0.1" Static Pressure
- White Plastic Grille
- Plug-in Permanently Lubricated Motor
- Motor Equipped with Thermal Cutout
- Weight = 4.8lbs

- UL Listed For Shower/Tub Enclosures When Used With a GFCI Branch Circuit Wiring
- 3" Round Duct Connection with Damper



Part Number: FV08VS1

	Static Pressure		Volts	Watts	Duct Ø
	0.1	0.25			
CFM	80	65	120	23.3	3"
Sones	1.4	NA			



Wall Caps

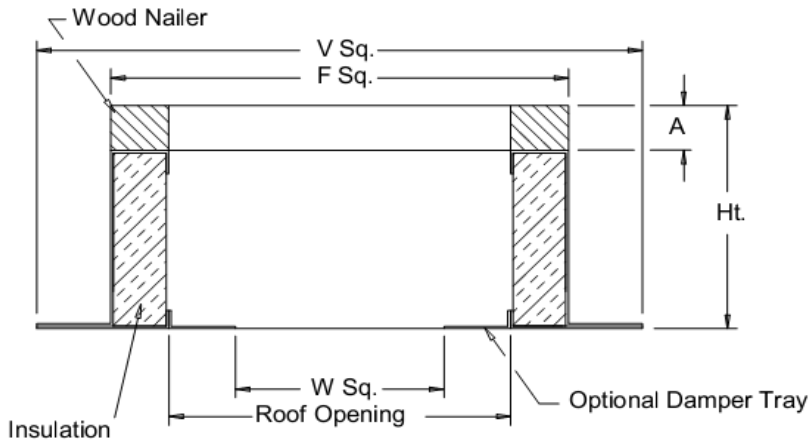
- Aluminum with Backdraft Damper
- Closed Cell Foam Tape for Quiet Operation
- Stainless Steel Spring

Part #	Sizes
WCR4	4" Ø
WCR6	6" Ø



COOK

(Flat) Roof Curbs



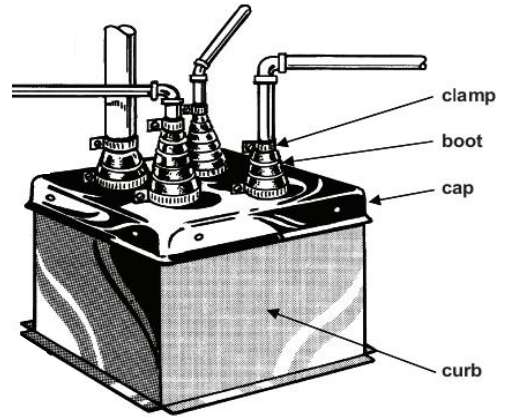
- 18 Gauge Galvanized Steel
- Continuously Welded Corners
- 1-1/2" 3lb Density Thermal & Acoustical Insulation
- Wood Nailer

Part Number	Height	"A"	"F" Sq	"V" Sq	Roof Opening
RCG16-13	13.5"	1.5"	16.5"	20.5"	13.5"
RCG18-13		1.5"	18.5"	22.5"	15.5"
RCG22-13		1.5"	22.5"	26.5"	19.5"
RCG28-13		1.5"	28.5"	32.5"	25.5"
RCG16-16	16.5"	1.5"	16.5"	20.5"	13.5"
RCG18-16		1.5"	18.5"	22.5"	15.5"
RCG22-16		1.5"	22.5"	26.5"	19.5"
RCG28-16		1.5"	28.5"	32.5"	25.5"



Pipe Portal Systems

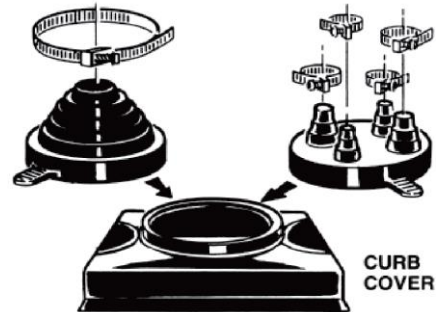
- 18 Gauge Galvanized Steel Roof Curb
- 1-1/2", 3lb Density Fiberglass Insulation
- Wood Nailer
- Molded ABS Plastic Cover
- Molded EPDM Rubber Cap
- Stainless Steel Clamps



- (1) System Includes Curb, Cover, Clamps & One of Five Caps Listed Below

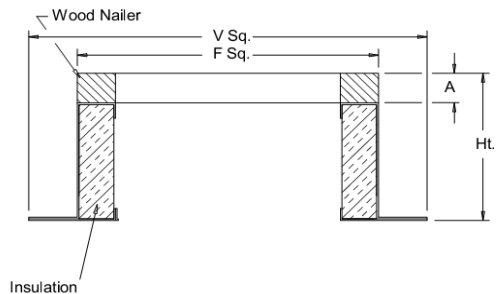
Caps:

Part #	Description
N18	For Four 3/8" Thru 1" Pipes
N21	For Four 1" Thru 2" Pipes
N28	For Two 3/8" Thru 1" & Two 1" Thru 2"
N52	For One 2" Thru 6" Pipe
N182	For One 8" Thru 12" Pipe (Requires 20x20 Curb)



Curbs:

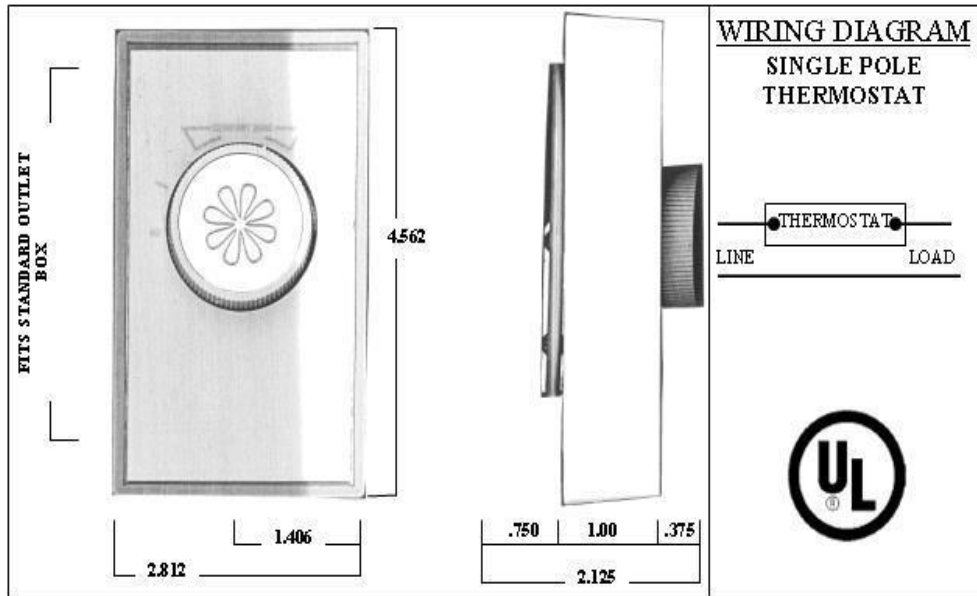
	12x12	20x20
Fits:	N18, N21, N28 & N52	N182
"V"	16"x16"	24"x24"
"F"	12"x12"	20"x20"
"Ht"	12"	12"
Part #	PPC1212-12	PPC2020-12



MODEL 1A22-8

Line Voltage Cooling Thermostat

(Closes On Rise In Temperature)



Application:

A vertical wall box is used for mounting thermostat 4 to 5 feet above the floor on an inside wall where the thermostat will be subject to average room temp. It should be away from concealed warm or cold water pipes, warm air ducts, drafts from hallways or stairways.

Specifications:

Switch : Snap action, single pole single throw, normally open. Closes on rise in temperature

Rating : 13.8 FLA, 82.8 LRA, 3/4 Hp at 120 VAC
10.0 FLA, 60.0 LRA, 1-1/2 Hp at 240 VAC

Temperature Range : 50° to 90°F.

Fixed differential : 15°F. nominal

Listing : U.L.

FINISH: BEIGE

Our Location



From I-235

Exit the interstate northbound on 2nd Avenue (this requires westbound traffic to exit on 3rd Street and loop around onto 2nd Avenue). Remain northbound on 2nd Avenue past the Des Moines Main Post Office and through the stop light on University Avenue. The following stop light will be College Avenue and the next street north of College is Washington Avenue. Proceed east on either until they dead end (approximately 5 blocks). We are in a tan metal building with a canvas entry awning - there will be white name and address signs posted.

Rist & Associates, Inc.
 4 Washington Avenue
 Des Moines, IA 50314

515.243.8720

Manufacturers Represented



Specialty Diffusers



Gas & Electric Make-Up Air Units



Louvers & Dampers



Gas Make-Up Air Units



Ceiling Exhaust Fans & Accessories



Louvers, Dampers, Access Doors, Fire Dampers



FRP Fans & Blowers



Roof Curbs, Support Rails, Curb Adaptors



UL300A Fire Suppression Range Hoods



Fabric Air Duct Dispersion Systems



Controls & Gauges



Electronic Airflow Measurement Equipment



Electronic Airflow Measurement Equipment



Air-to Air Energy Recovery Units



Kitchen Hoods, Access Doors, Air Blenders



Spiral Duct & Fittings



Industrial Fans & Blowers



Electric Heating Products



Air Doors & Fly Fans



B-Vent, Flue, Grease Duct Systems

Manufacturers Represented

MILCOR

Access Panels, Heat/Smoke Vents, Roof Hatches

MONOXIVENT
Source Capture Systems

Welding, Underfloor, Overhead Exhaust Systems

NORLOCK METAL PRODUCTS CO.
Manufacturing Division

Spiral Duct & Fittings

Panasonic

Ceiling Exhaust Fans

POTTORFF[®]
A Division of PCI Industries, Inc.

Louvers, Dampers, Attenuators

PRICE

Grilles, Registers, Diffusers, VAV Boxes, Attenuators

 **RAYMON**
DONCO AIR DISTRIBUTION EQUIPMENT

Light Troffers, Plenum, Slot & Specialty Diffusers

Reggio Registers

Wood, Cast Iron, & Aluminum Grilles

ROOF PRODUCTS SYSTEMS
RPS
CORPORATION

Roof Curbs, Support Rails, Curb Adaptors

STERIL-AIRE

UVC Products for HVAC Systems

Thermaflex

Insulated & Non-Insulated Flexible Duct

TOXALERT[™]
INTERNATIONAL, INC.

Gas Detection Systems, Sensors & Controls

UnderDuct
by Monoxivent[®]

FRP Duct & Fittings

Vent-A-Kiln[™]

Heat & Fume Exhaust Hoods, Fans, Controls

VP VENT PRODUCTS CO., INC.

Louvers, Dampers, Penthouses, Portals

VE **Vibration Eliminator Co., Inc.**

Isolation Pads, Hangers, Bases, & Floors

WARD INDUSTRIES

Duct Connection Flanges, Corners, Hardware

WEKSLER[™]

Thermometers & Pressure Gauges

YR **Young Regulator**

Specialty Dampers, Remote Cable Operators, & Hardware



Rist & Associates

**4 Washington Ave.
Des Moines, IA 50314
PH: (515) 243-8720
FAX: (515) 243-8714**

www.ristandassociates.com